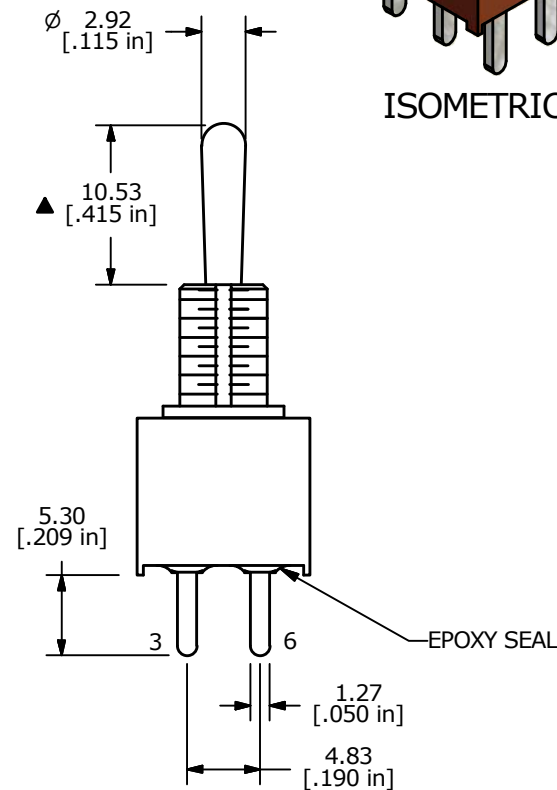
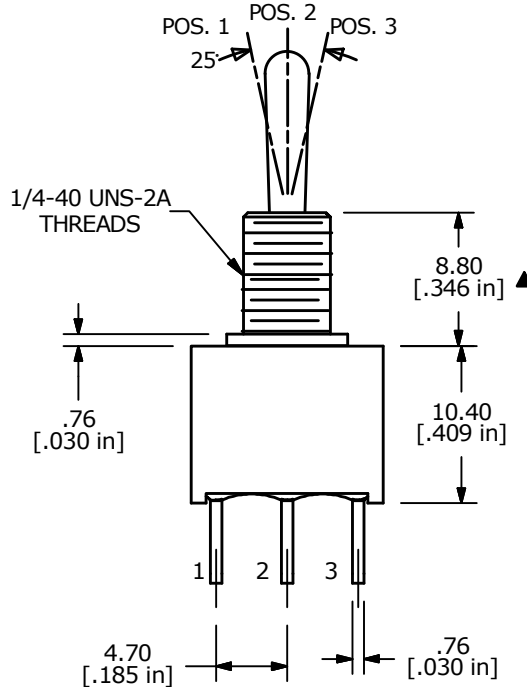
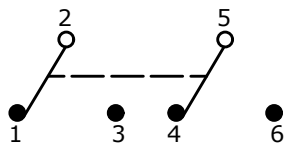


SWITCH FUNCTION		
POS. 1	POS. 2	POS. 3
ON	NONE	ON
2-3, 5-6	N/A	2-1, 5-4



- NOTE:
1. ALL DIMENSIONS IN MM [INCH].
  2. GENERAL TOLERANCE: X.X=±0.4  
X.XX=±0.25
  3. TERMINAL NUMBERS FOR REF ONLY.
  - ▲ 4. PLATING MATERIAL: GOLD
  5. RATING: 0.4 VOLT-AMPS(VA) MAX. @20V MAX. (AC OR DC)
  6. ELECTRIC LIFE: 30,000 MAKE-AND-BREAK CYCLES AT FULL LOAD.
  7. INSULATION RESISTANCE: 1,000 MEGA-OHM MIN.
  8. DIELECTRIC STRENGTH: 1,000 V RMS @SEA LEVEL.
  9. OPERATING TEMP.: -30°C to 85°C
  10. 2002/95/EC (ROHS) COMPLIANT.
  11. ▲ DENOTES CRITICAL PARAMETER.

C	22313	UPDATED CONTACT NUMBERING	5/20/16	MJR
B	16142	UPDATE DIMENSIONS	6/14/06	CT
A	15952	RELEASED FOR PRODUCTION	4/10/06	CT
REV	PCR NO	DESCRIPTION	DATE	BY



TITLE 100AWDP1T1B1M2RE				
SCALE 2:1	DATE 4/10/2006	DR CT	DWG T102274	REV C

THE INFORMATION CONTAINED IN THIS DOCUMENT IS PROPRIETARY TO E-SWITCH AND IS NOT TO BE COPIED OR TRANSFERRED